

**Book and Music Storage Rack
Accessory
on a Nota Standard Chair**

Contents

Important User Information	2	Assembly	3
Safety Precautions	2		



Visit the Nota Chairs web page at wengercorp.com for more information.

Note: Please read and understand these instructions before proceeding.
Note: If you need additional information, contact Wenger Corporation using the information below.

Important User Information

General

Copyright © 2024 by Wenger Corporation

All rights reserved. No part of the contents of this manual may be reproduced, copied, or transmitted in any form or by any means including graphic, electronic, or mechanical methods or photocopying, recording, or information storage and retrieval systems without the written permission of the publisher, unless it is for the purchaser's personal use.

Printed and bound in the United States of America.

The information in this manual is subject to change without notice and does not represent a commitment on the part of Wenger Corporation. Wenger Corporation does not assume any responsibility for any errors that may appear in these instructions.

In no event will Wenger Corporation be liable for technical or editorial omissions made herein, nor for direct, indirect, special, incidental, or consequential damages resulting from the use or defect of these instructions. The manufacturer reserves the right to change this product at any time.

The information in this document is not intended to cover all possible conditions and situations that might occur. The end user must exercise caution and common sense when assembling or installing Wenger Corporation products. If any questions or problems arise, call the Wenger Corporation at (800) 4WENGER (493-6437) or +1-507-455-4100 worldwide.

Manufacturer

The Book and Music Storage Rack Accessory is manufactured by:

Wenger Corporation
555 Park Drive
Owatonna, MN 55060
(800) 4WENGER (493-6437) • +1 (507) 455-4100
wengercorp.com

Intended Use

- This product is intended for indoor use in normal ambient temperature and humidity conditions – it must not be exposed to prolonged outside weather conditions.
- This product is intended to be assembled and used only as described in these instructions.

Warranty

Warranty information is available at wengercorp.com.

Safety Precautions

Throughout this document you may find cautions and warnings which are defined as follows:

- **WARNING:** Failure to follow the instruction could result in serious injury or damage to property.
- **CAUTION:** Failure to follow the instruction could result in minor injury or damage to property.

Read all of these safety instructions before using the equipment.

⚠ CAUTION

Make sure anyone assembling, installing or using this product has read and understands these instructions.

⚠ CAUTION

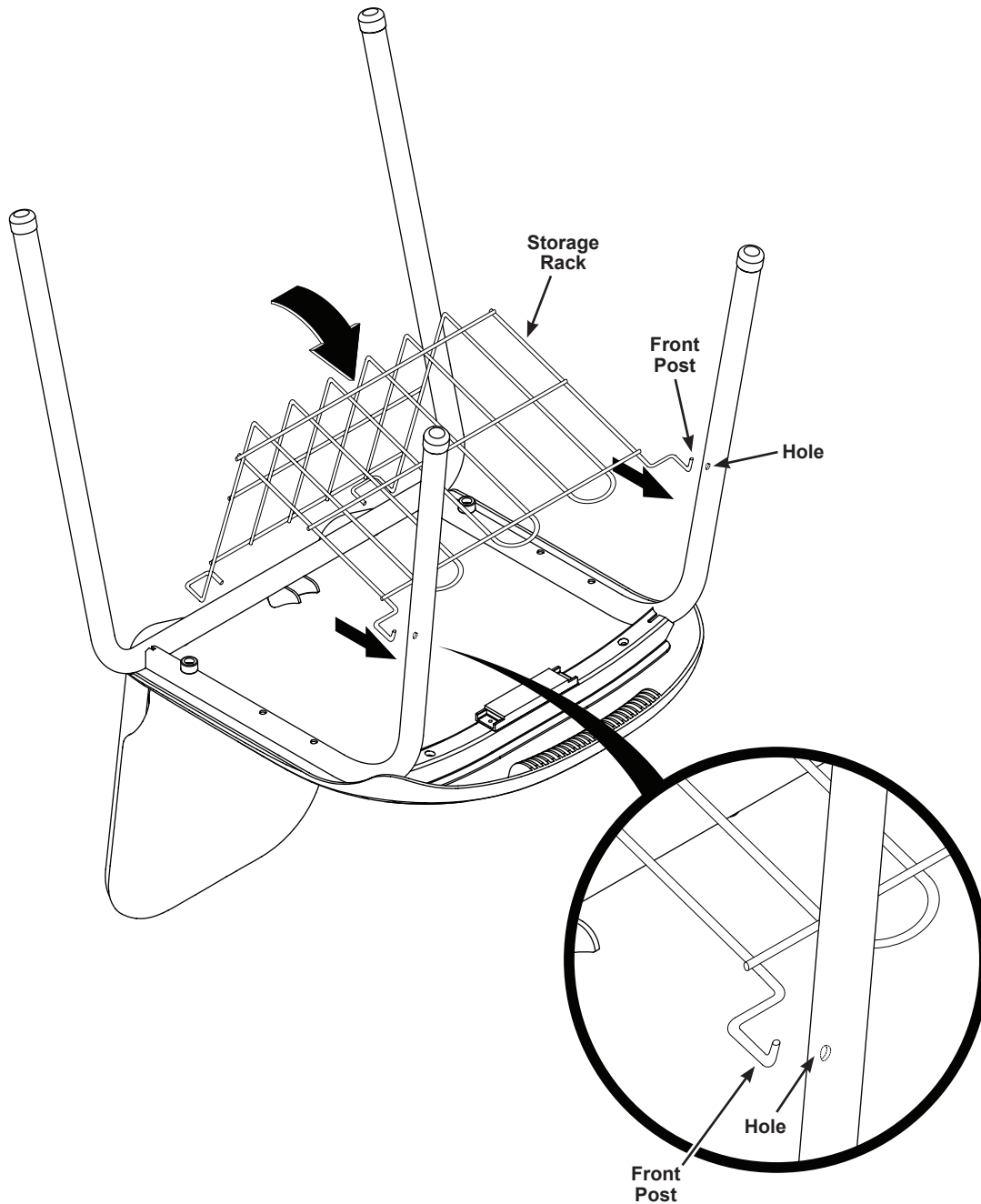
Failure to comply with Warnings and Cautions in this document or on the equipment can result in damage to property or injury.

Assembly

1. Place the Nota chair upside down on a table or bench covered with a pad or blanket to protect the seat surface.
2. Rotate the book and music storage rack to insert the two front posts all of the way into both of the holes in the inside of the front legs.

NOTICE

Be sure that the two front posts are inserted all of the way into the holes and remain inserted for the remaining steps.



Assembly (continued)

3. Rotate the storage rack toward the chair and snap the rear loops between the seat and the back leg cross tube as shown.
 - a. The storage rack must be squeezed together by pushing the back end of the storage rack towards the front legs to allow the rear posts to snap over the back leg cross tube.
 - b. Insert one of the rear loops into place first then the other.
This decreases the amount of force required to engage the rear loops.

⚠ CAUTION

To minimize the possibility of pinching hands or fingers, grip the storage rack with both hands at a point far enough away from the rear loops when snapping them over the back leg cross tube.

